

1

2

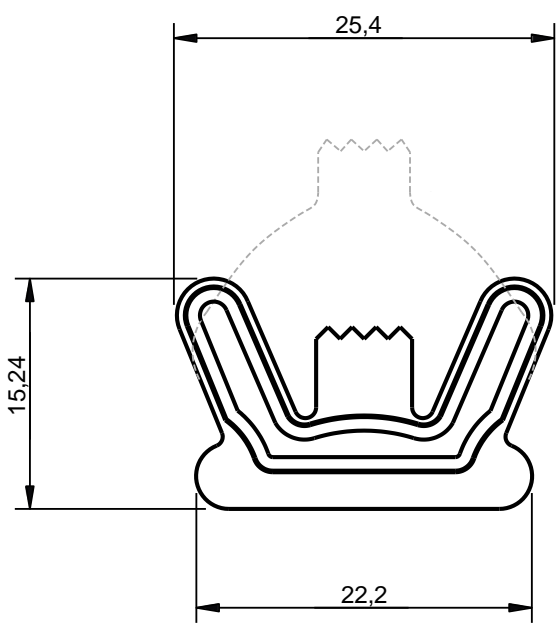
3

4

RevNo	Revision note	Date	Signature	Checked
-------	---------------	------	-----------	---------

A

A



B

B

C

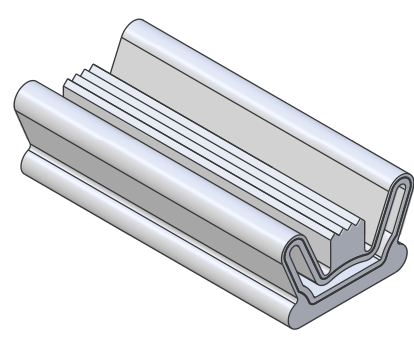
C

D

D

E

E



F

F

Itemref	Quantity	Title/Name, designation, material, dimension etc			Article No./Reference	
Drawn by AS	Checked by	Approved by - date	File name	Date 2011/11/07	Scale 2 : 1	
limburgse kunststofonderneming LIKON BV ELASTOMERS PLASTICS ALUMINIUM		Kerkstraat 101 NL-5411CK Zeeland T +31/486-450050 sales@likon.info www.likon.info		IFS-F20 reinforced inflatable seal IFS-F20		
				Edition	Sheet 1 of 1	

1

4