

1

2

3

4

RevNo	Revision note	Date	Signature	Checked
-------	---------------	------	-----------	---------

A

A

B

B

C

C

D

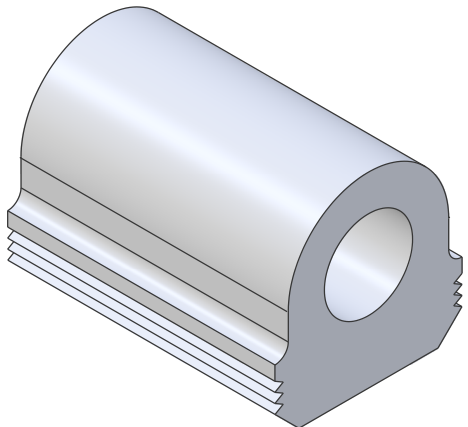
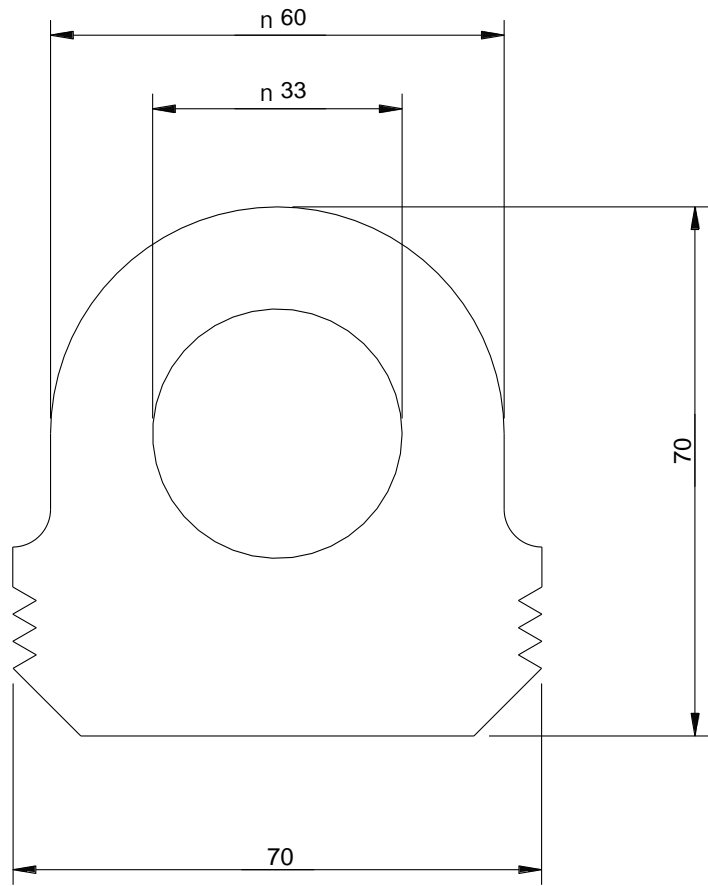
D

E

E

F

F



Grade : Black EPDM 30±5° Shore A
 Weight : 4,35 kgs/meter

Proprietary and confidential. This drawing is the property of Likon BV. It contains confidential information and may not be copied or otherwise distributed - in part or as a whole - without written approval by Likon BV. Likon BV, its agents, suppliers, whereby our products will be employed. Likon does not represent or guarantee that any product is fit for a particular purpose. They should be tested by users to determine suitability for a particular purpose. Likon disclaims responsibility for claims and damages, by your replacement of any defective product except under warranties which extend beyond the description on the face hereof.

Itemref	Quantity	Title/Name, designation, material, dimension etc			Article No./Reference	
Drawn by		Checked by	Approved by - date	File name	Date	Scale 1 : 1
limburgse kunststofonderneming		Kerkstraat 101 NL-5411CK Zeeland T +31/486-450050 sales@likon.info www.likon.info		Hatch seal 70x70mm		
LIKON BV		ELASTOMERS PLASTICS ALUMINIUM		PN70	Edition	Sheet 1 of 1

1

4