

1

2

3

4

RevNo	Revision note	Date	Signature	Checked
-------	---------------	------	-----------	---------

A

A

B

B

C

C

D

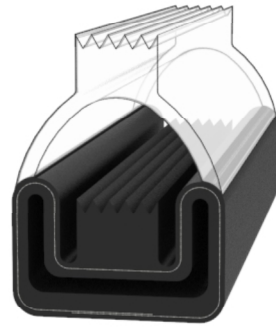
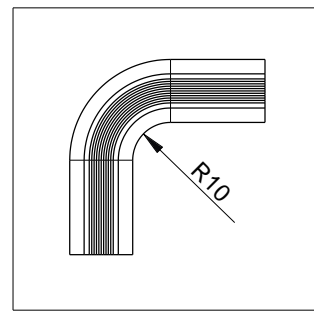
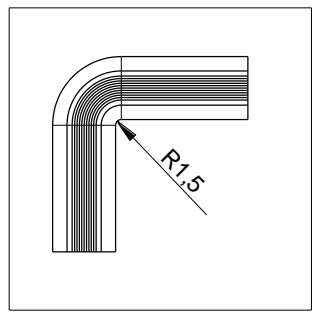
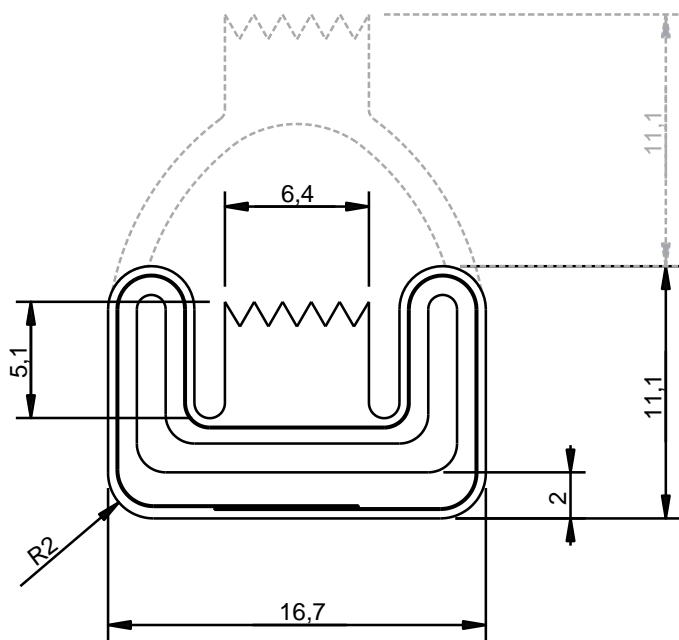
D

E

E

F

F



Grade : EPDM, 1 ply polyester
 Expansion : 11mm

Proprietary and confidential. This drawing is the property of Likon BV. It contains confidential information and may not be copied or otherwise distributed - in part or as a whole - without written approval by Likon BV. Likon BV does not accept any liability for any damage or loss of any kind, including consequential or indirect damage, arising from the use of any product or service provided by Likon BV, whether or not such damage or loss is caused in whole or in part by the use of any product or service provided by Likon BV. Likon BV does not represent or guarantee that any product is fit for a particular purpose. They should be tested by users to determine suitability for a particular purpose. Likon disclaims responsibility for any damage or loss of any kind, including consequential or indirect damage, arising from the use of any product or service provided by Likon BV, whether or not such damage or loss is caused in whole or in part by the use of any product or service provided by Likon BV.

Itemref	Quantity	Title/Name, designation, material, dimension etc			Article No./Reference	
Drawn by	Checked by	Approved by - date	File name	Date 2020/06/04	Scale 3 : 1	
limburgse kunststofonderneming LIKON BV ELASTOMERS PLASTICS ALUMINIUM			Kerkstraat 101 NL-5411CK Zeeland T +31/486-450050 sales@likon.info www.likon.info		Reinforced inflatable seal IFS-F39	
				Edition	Sheet 1 of 1	

1

4