

1

2

3

4

RevNo	Revision note	Date	Signature	Checked
-------	---------------	------	-----------	---------

A

A

B

B

C

C

D

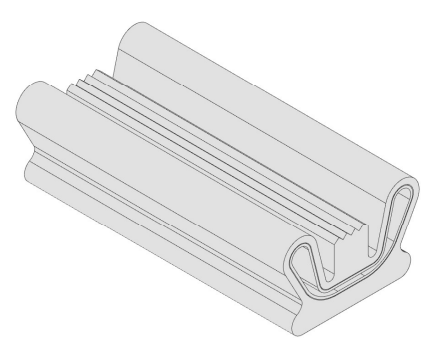
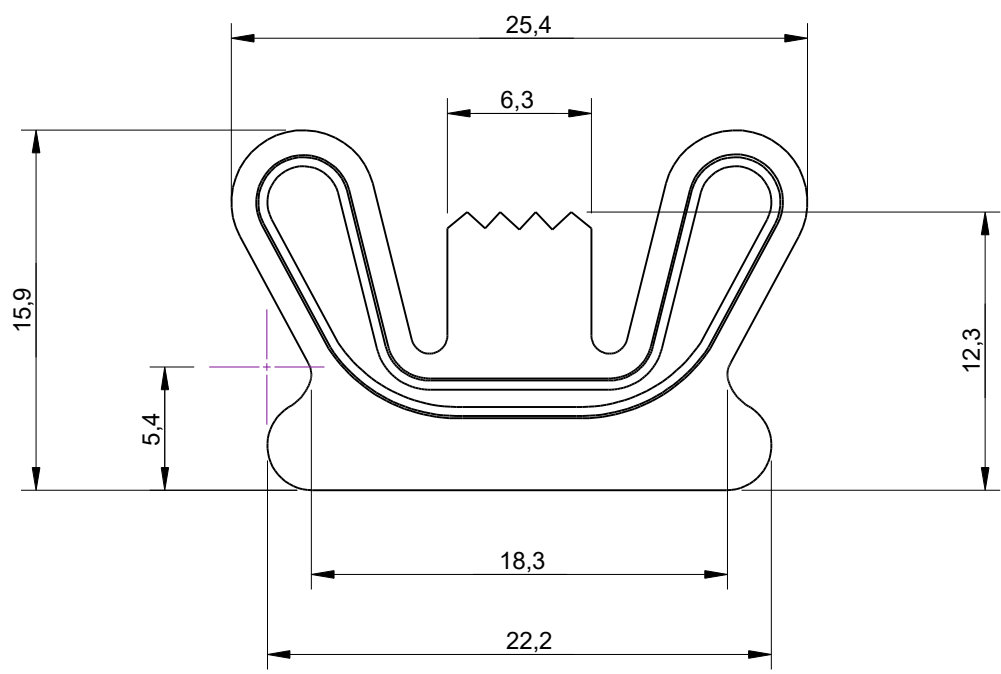
D

E

E

F

F



Grade : EPDM

Expansion : 19mm

Itemref	Quantity	Title/Name, designation, material, dimension etc			Article No./Reference	
Drawn by		Checked by	Approved by - date	File name	Date 2020/01/09	Scale 3: 1

limburgse kunststofonderneming  
**LIKON BV**  
 ELASTOMERS | PLASTICS | ALUMINIUM



Kerkstraat 101  
 NL-5411CK Zeeland  
 T +31/486-450050  
 sales@likon.info  
 www.likon.info

### Reinforced inflatable seal profile

**IFS-F14**

Edition

Sheet  
1 of 1