

1

2

3

4

RevNo	Revision note	Date	Signature	Checked
-------	---------------	------	-----------	---------

A

A

B

B

C

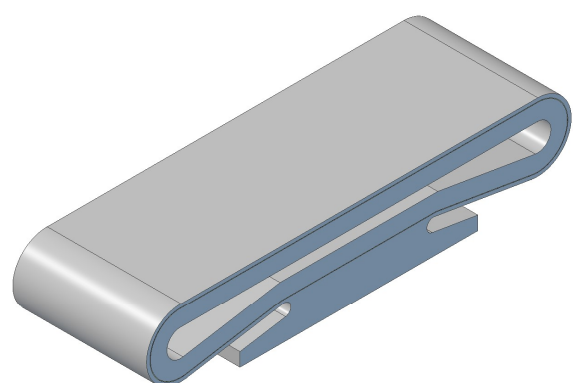
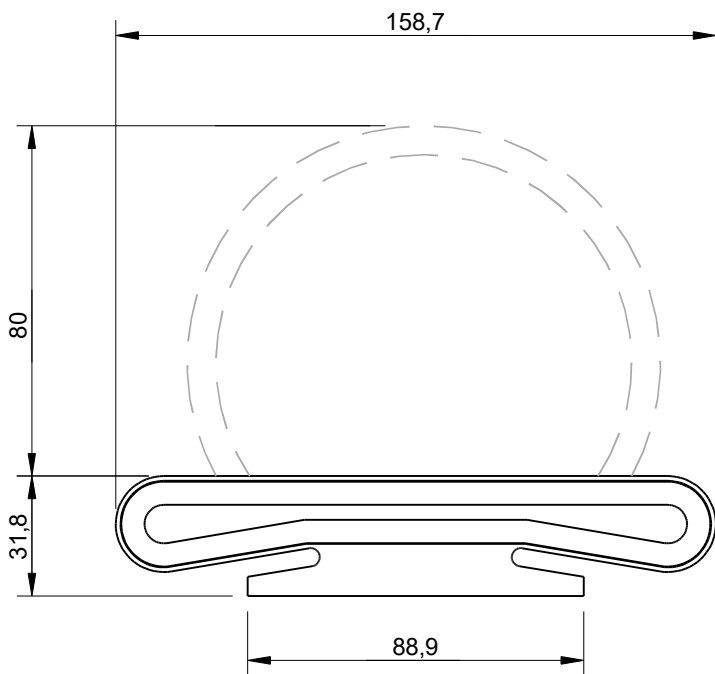
C

D

D

E

E




Grade : reinforced EPDM

Expansion : +/- 80mm

F

F

Itemref	Quantity	Title/Name, designation, material, dimension etc			Article No./Reference	
Drawn by AS	Checked by	Approved by - date	File name	Date 2019/06/12	Scale 1 : 2	
limburgse kunststofonderneming LIKON BV ELASTOMERS PLASTICS ALUMINIUM		 Kerkstraat 101 NL-5411CK Zeeland T +31/486-450050 sales@likon.info www.likon.info		Reinforced inflatable seal profile 158 x 32 IFS-F37		Edition Sheet 1 of 1

1

4