

1

2

3

4

RevNo	Revision note	Date	Signature	Checked
-------	---------------	------	-----------	---------

A

A

B

B

C

C

D

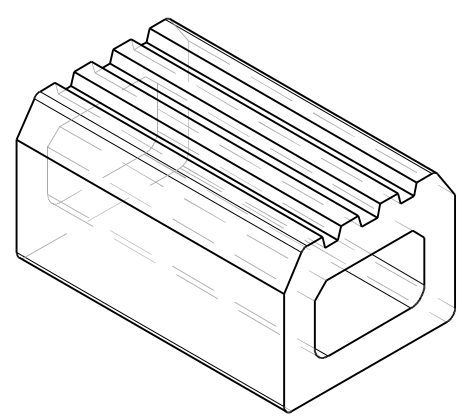
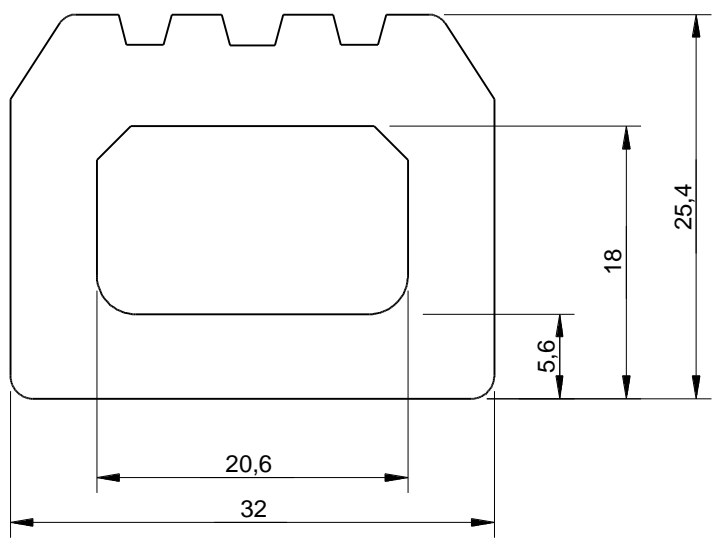
D


E

E

F

F



Itemref	Quantity	Title/Name, designation, material, dimension etc			Article No./Reference	
Drawn by AS	Checked by	Approved by - date	File name	Date 2011/03/29	Scale 2 : 1	
limburgse kunststofonderneming LIKON BV ELASTOMERS PLASTICS ALUMINIUM		 Kerkstraat 101 NL-5411CK Zeeland T +31/486-450050 sales@likon.info www.likon.info		IFS# 34 (EPDM)		Edition Sheet 1 of 1

1

4