

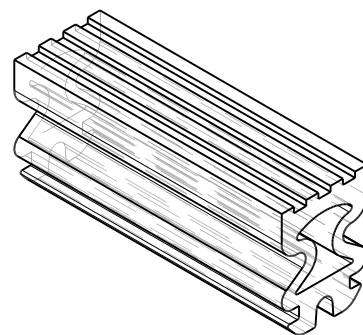
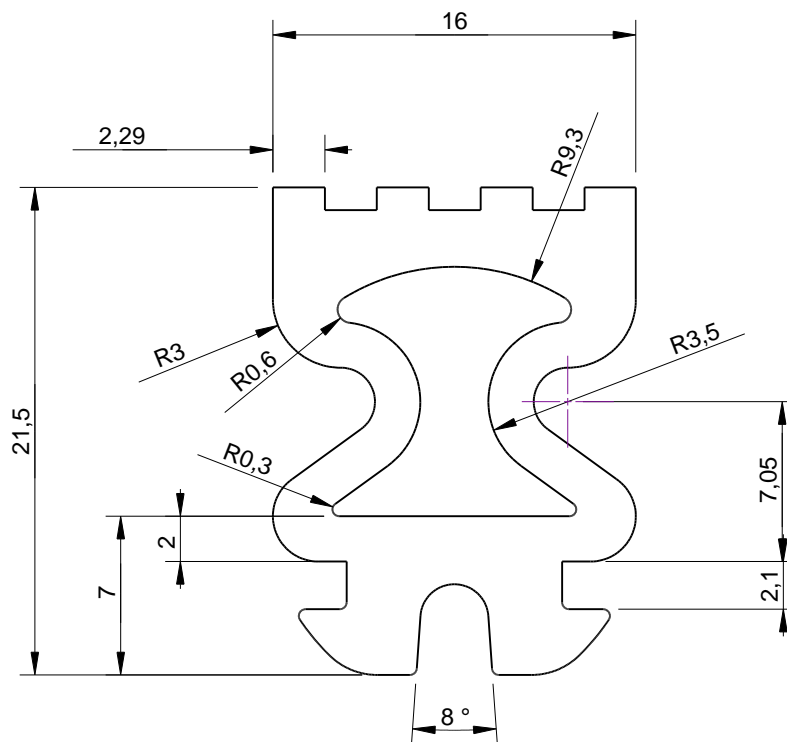
1

2


3

4

RevNo	Revision note	Date	Signature	Checked
-------	---------------	------	-----------	---------



Grade : EPDM 60±5° Shore A
 Color : black
 Tol. E2 ISO 3302-1

Itemref	Quantity	Title/Name, designation, material, dimension etc			Article No./Reference	
Drawn by AS	Checked by	Approved by - date	File name	Date 27-01-2016	Scale 1 : 1	
limburgse kunststofonderneming LIKON BV ELASTOMERS PLASTICS ALUMINIUM		 Kerkstraat 101 NL-5411CK Zeeland T +31/486-450050 sales@likon.info www.likon.info		IFS# 105-V IFS# 105-V		Edition Sheet 1 of 1

1

4