

1

2

3

4

RevNo	Revision note	Date	Signature	Checked
-------	---------------	------	-----------	---------

A

A

B

B

C

C

D

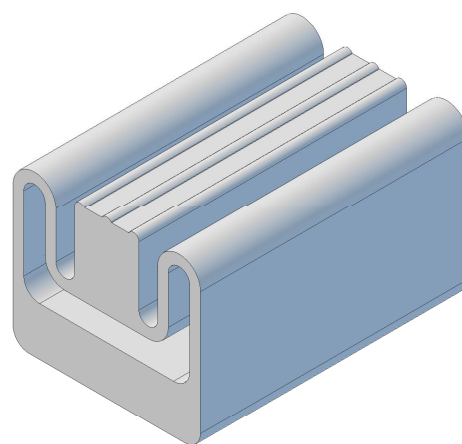
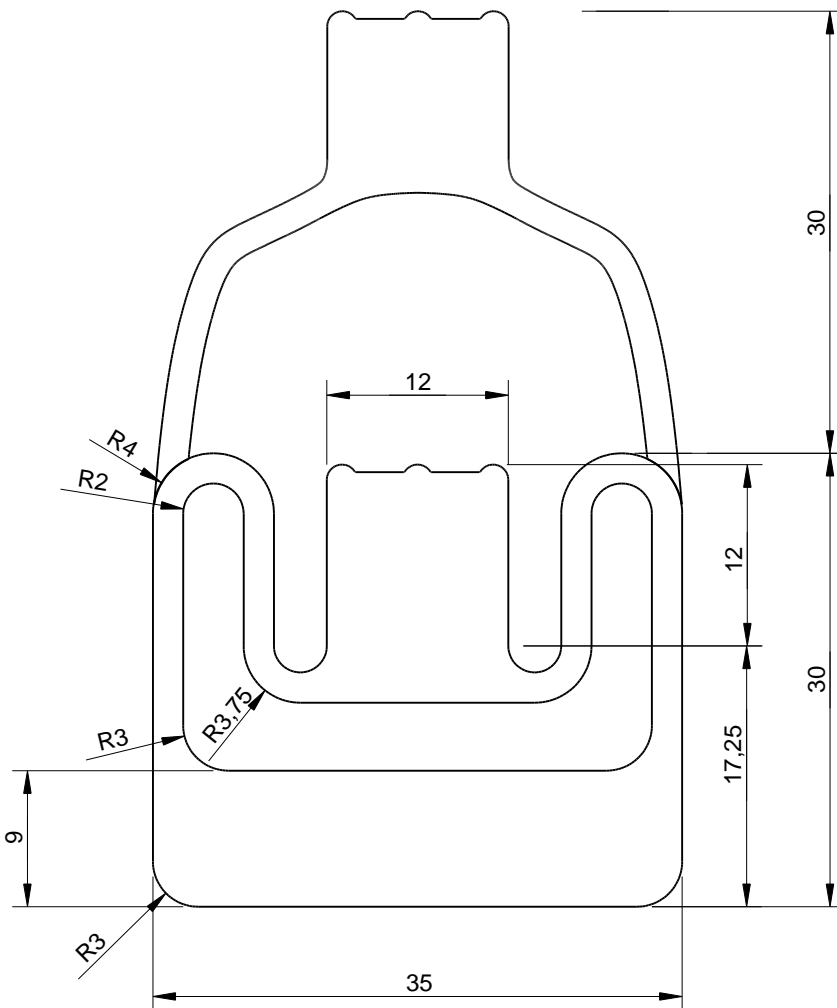
D

E

E

F

F




Material : FDA-EPDM / SILICONE

Expansion: ≥ 30 mm

Approx. 660 gr/m1

Itemref	Quantity	Title/Name, designation, material, dimension etc			Article No./Reference	
Drawn by AS	Checked by	Approved by - date	File name	Date 20/12/2013	Scale 1 : 1	

limburgse kunststofonderneming LIKON BV ELASTOMERS PLASTICS ALUMINIUM		Kerkstraat 101 NL-5411CK Zeeland T +31/486-450050 sales@likon.info www.likon.info		Inflatable seal section IFS# 440		Edition	Sheet 1 of 1

1

4