

1

2

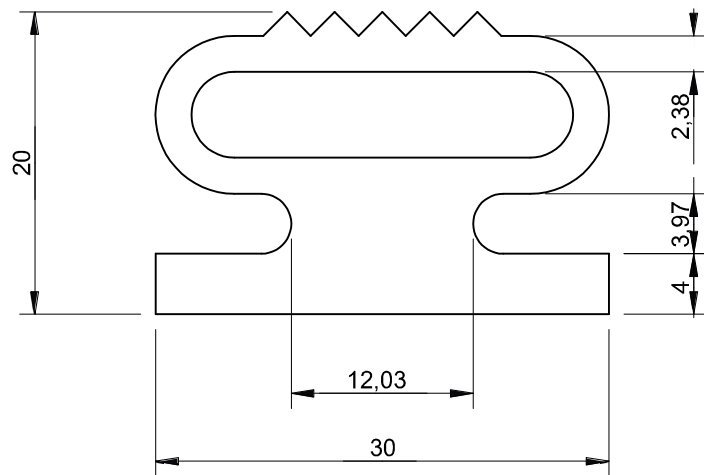
3

4

RevNo	Revision note	Date	Signature	Checked
-------	---------------	------	-----------	---------

A

A

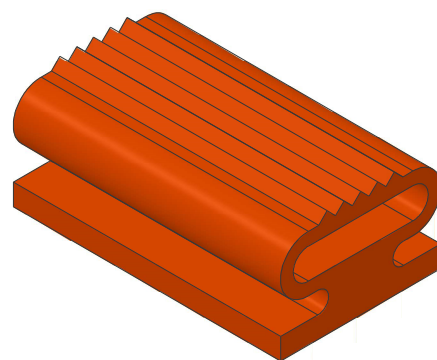


B

B

C

C



D

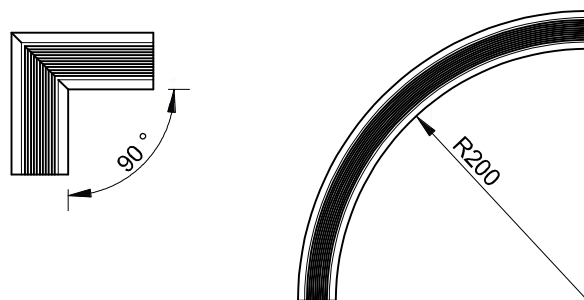
D

E

E


Grade : EPDM / VMQ 60±5° Shore A  
 Colour : Black / Orange & grey

P. max : 1,5 Bar  
 Expansion : 13 mm



F

F

Itemref	Quantity	Title/Name, designation, material, dimension etc			Article No./Reference	
Drawn by AS	Checked by	Approved by - date	File name	Date 15-06-2011	Scale 1 : 1	
limburgse kunststofonderneming <b>LIKON BV</b> ELASTOMERS   PLASTICS   ALUMINIUM		 Kerkstraat 101. NL-5411CK Zeeland T. +31/486-450050 sales@likon.info www.likon.info		<b>Inflatable seal section</b> <b>IFS# 99</b>		Edition Sheet 1 of 1

1

4