

1

2

3

4

RevNo	Revision note	Date	Signature	Checked
-------	---------------	------	-----------	---------

A

A

B

B

C

C

D

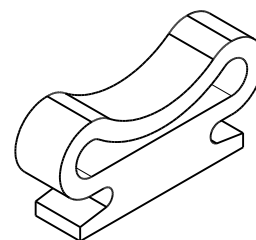
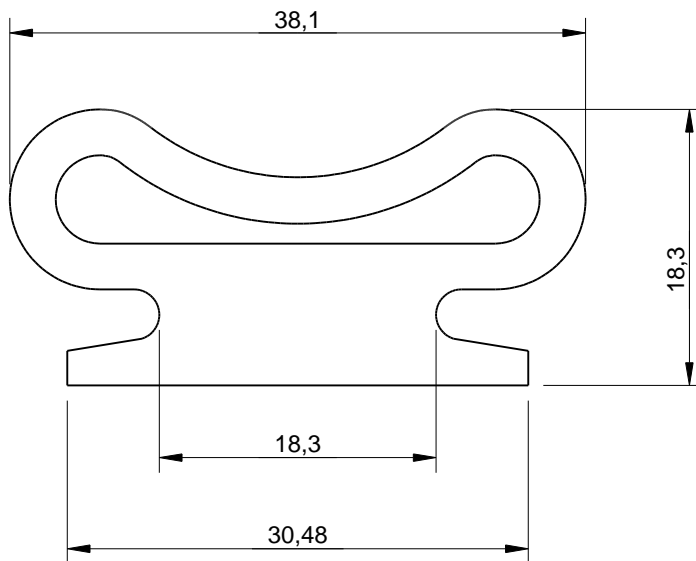
D

E

E


F

F



Grade : EPDM / VMQ  
 Hardness: 60±5° Shore A  
 Tolerance: E2 ISO 3302-1

Pdiff : 0,7 Bar  
 Inflation P : 0,7 - 1,75 Bar  
 Pmax : 2,1 Bar  
 Expansion : 15-16 mm

Itemref	Quantity	Title/Name, designation, material, dimension etc			Article No./Reference	
Drawn by AS	Checked by	Approved by - date	File name	Date	Scale 1 : 1	
limburgse kunststofonderneming <b>LIKON BV</b> ELASTOMERS   PLASTICS   ALUMINIUM		 Kerkstraat 101 NL-5411CK Zeeland T +31/486-450050 sales@likon.info www.likon.info		<b>IFS section</b> <b>IFS# 53</b>		Edition Sheet 1 of 1

1

4