

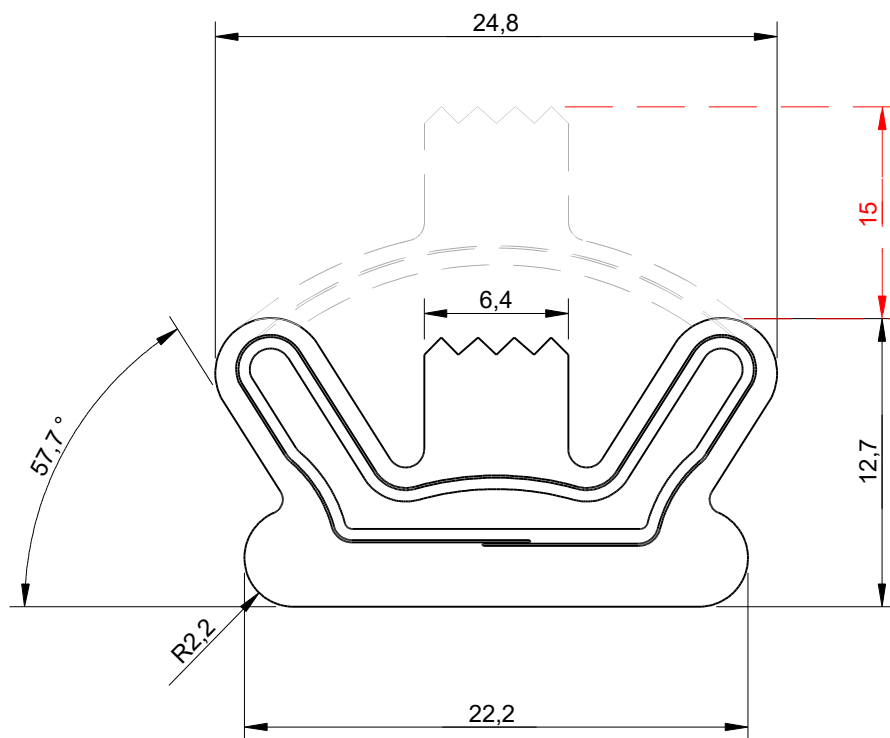
1

2

3


4

RevNo	Revision note	Date	Signature	Checked
-------	---------------	------	-----------	---------



Grade : NBR 60° Shore A / EPDM 50° Shore A

W.P. : up to 2,5 Bar
Pmax.: 3 bar

Itemref	Quantity	Title/Name, designation, material, dimension etc			Article No./Reference	
Drawn by AS	Checked by	Approved by - date	File name	Date 26/04/2012	Scale 1 : 1	
limburgse kunststofonderneming LIKON BV ELASTOMERS PLASTICS ALUMINIUM		 Kerkstraat 101 NL-5411CK Zeeland T +31/486-450050 sales@likon.info www.likon.info		Reinforced IFS section IFS-F23		Edition Sheet 1 of 1

1

4