

1

2

3

4

RevNo	Revision note	Date	Signature	Checked
-------	---------------	------	-----------	---------

A

A

B

B

C

C

D

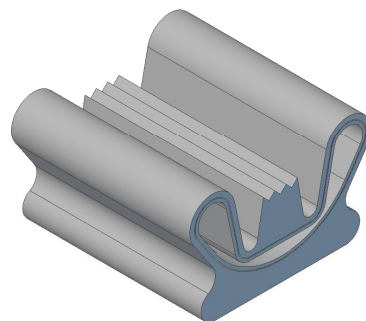
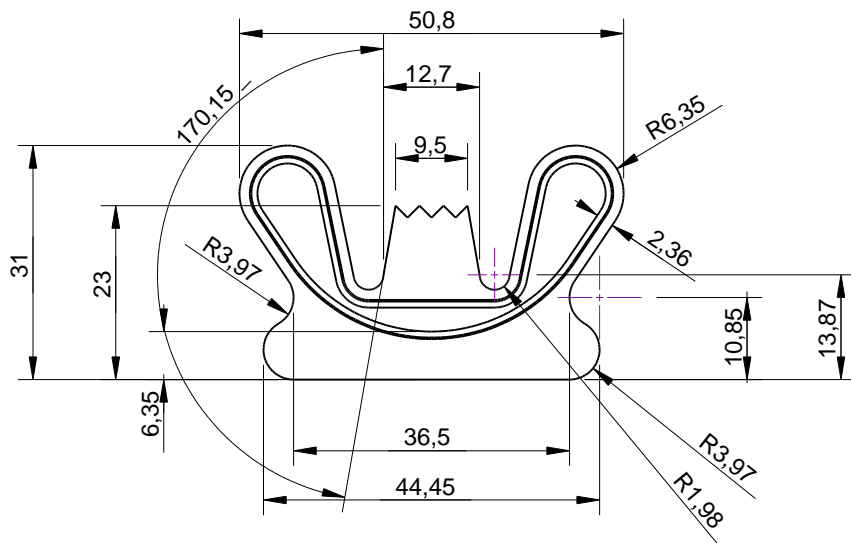
D

E


E

F

F



Grade : reinforced EPDM

Itemref	Quantity	Title/Name, designation, material, dimension etc			Article No./Reference	
Drawn by	Checked by	Approved by - date	File name	Date	Scale	
				06-10-2014	1 : 1	
limburgse kunststofonderneming LIKON BV ELASTOMERS PLASTICS ALUMINIUM		 Kerkstraat 101 NL-5411CK Zeeland T +31/486-450050 sales@likon.info www.likon.info		IFS# P125R		Edition Sheet 1 of 1

1

4