

| | | | |
|-------|---------------|------|-----------|
| 1 | 2 | 3 | 4 |
| RevNo | Revision note | Date | Signature |
| | | | Checked |

A

B

C

D

E

F

A

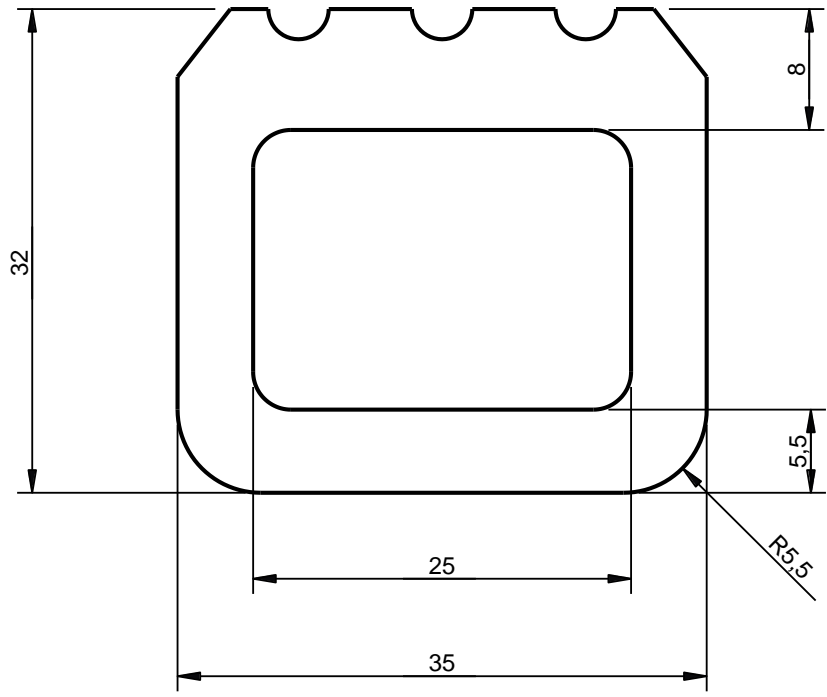
B

C

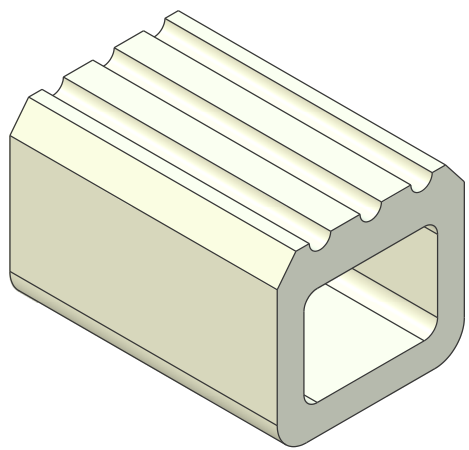
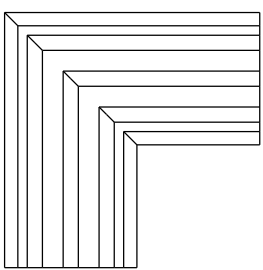
D

E

F




90_corners



Grade : EPDM / VMQ 55±5° Shore A
 P min : 0,7 Bar
 P diff : 1,5 - 2,8 Bar
 P max : 5 Bar
 Expansion : 8mm
 Min bending radius : 75mm (glued in channel)

limburgse kunststofonderneming
 LIKON BV
 Kerkstraat 101
 5411CK Zeeland | Holland
 T +31/486-450050
 sales@likon.info | www.likon.info

| | | | | | | |
|---|------------|--|-------------------|--------------------|-----------------------|-------|
| Itemref | Quantity | Title/Name, designation, material, dimension etc | | | Article No./Reference | |
| Drawn by AS | Checked by | Approved by - date | File name | Date 26/10/2009 | Scale 2:1 | |
| limburgse kunststofonderneming LIKON BV  | | | IFS# 60_R1 | | Edition | Sheet |