

1	2	3	4
RevNo	Revision note	Date	Signature
			Checked

A

A

B

B

C

C

D

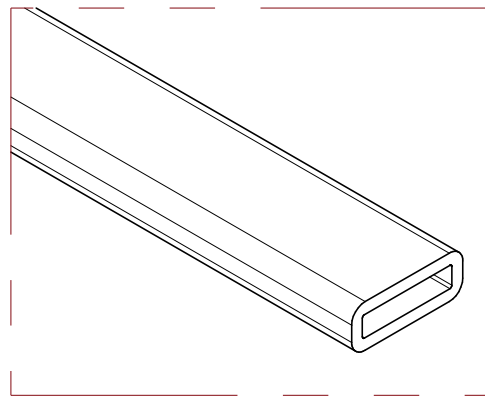
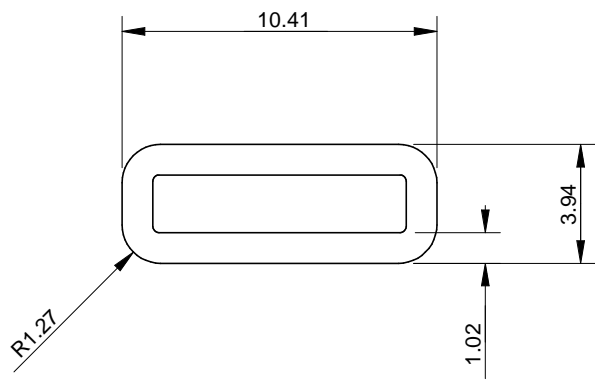
D


E

E

F

F



Itemref	Quantity	Title/Name, designation, material, dimension etc			Article No./Reference	
Drawn by AS	Checked by	Approved by - date	File name	Date 24/11/2010	Scale 1 : 1	
limburgse kunststofonderneming <b>LIKON BV</b> ELASTOMERS   PLASTICS   ALUMINIUM		 Kerkstraat 101 NL-5411CK Zeeland T +31/486-450050 sales@likon.info www.likon.info		<b>Inflatable seal section</b> <b>IFS# 49</b>		Edition Sheet 1 of 1