

1	2	3	4
RevNo	Revision note	Date	Signature
			Checked

A

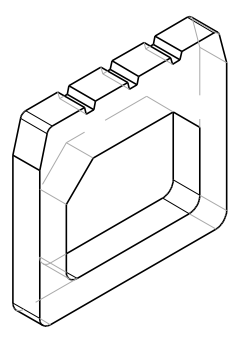
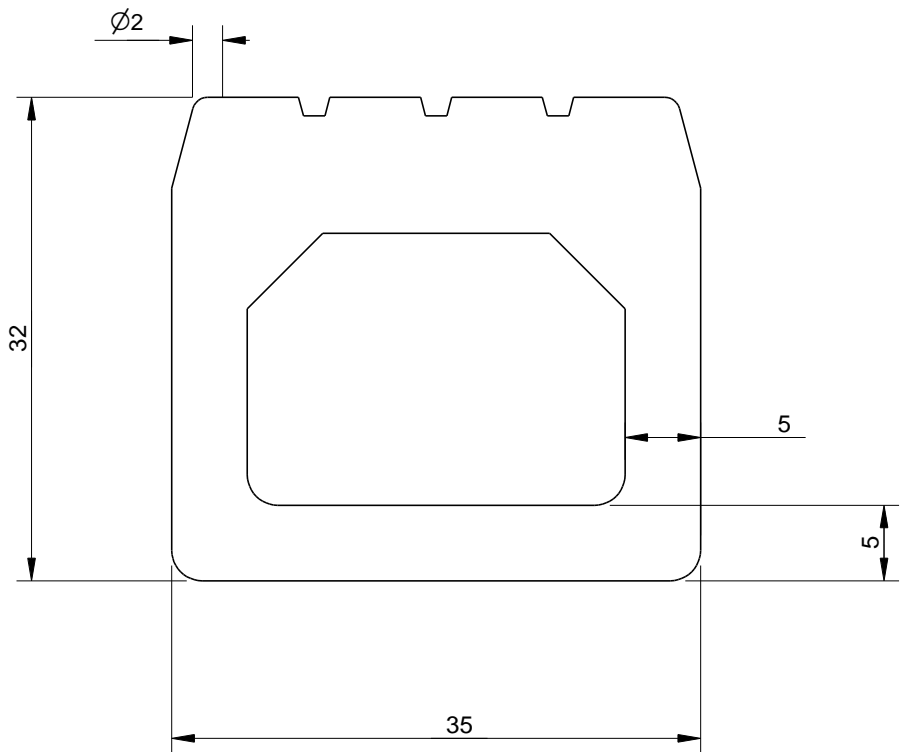
B

C

D

E

F




Grade : 1) EPDM 2) VMQ
 Hardness : 60±5° Shore A

P min : 0,7 Bar
 P diff : 0,7 - 1,5 Bar
 P max : 2 Bar

Expansion : 8mm

limburgse kunststofonderneming
 LIKON BV
 Kerkstraat 101 |
 5411CK Zeeland | Holland
 T +31/486-450050
 sales@likon.info | www.likon.info

Itemref	Quantity	Title/Name, designation, material, dimension etc			Article No./Reference	
Drawn by AS	Checked by	Approved by - date	File name	Date 26/10/2009	Scale 2:1	
limburgse kunststofonderneming LIKON BV 			IFS# 60		Edition	Sheet