

1

2

3

4

RevNo	Revision note	Date	Signature	Checked
-------	---------------	------	-----------	---------

A

A

B

B

C

C

D

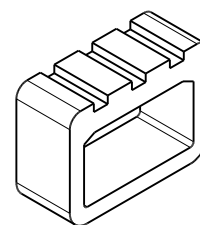
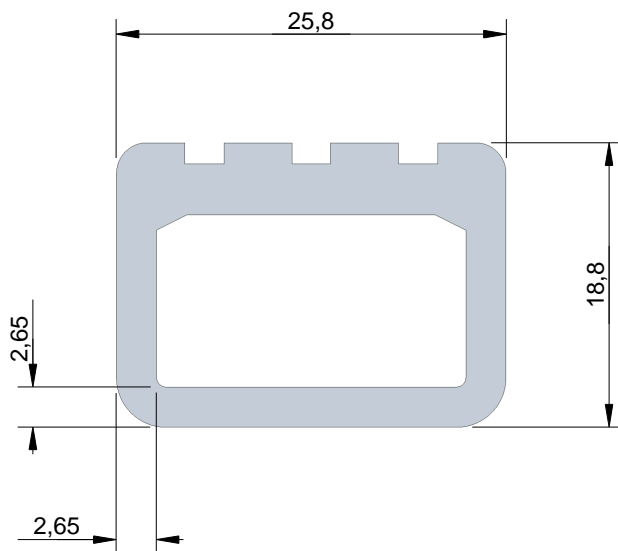
D

E

E

F

F




Grade : EPDM / VMQ

Pmin. : 0,7 Bar
 Pdiff. : 0,7 - 1,5 Bar
 Pmax.: 1,75 Bar

Expansion : 4 - 5 mm

Itemref	Quantity	Title/Name, designation, material, dimension etc			Article No./Reference	
Drawn by		Checked by	Approved by - date	File name	Date dd/mm/yyyy	Scale 2 : 1

limburgse kunststofonderneming LIKON BV ELASTOMERS PLASTICS ALUMINIUM		Kerkstraat 101 NL-5411CK Zeeland T +31/486-450050 sales@likon.info www.likon.info		Inflatable seal section 26x19mm IFS# 50		Edition	Sheet 1 of 1

1

4