

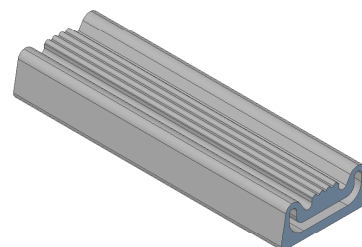
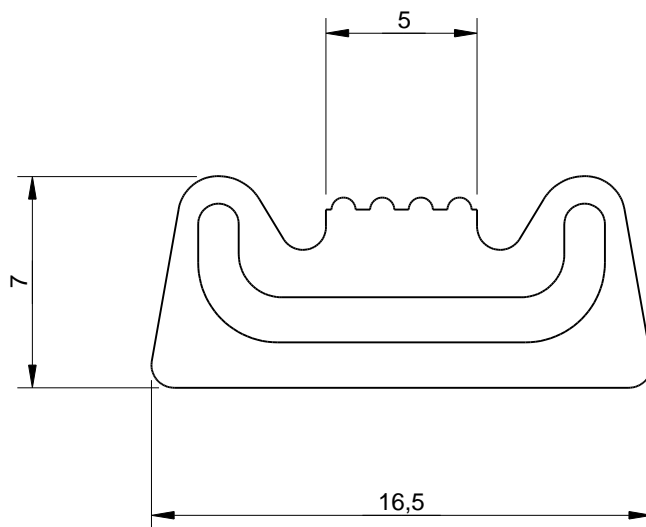
1

2

3

4

RevNo	Revision note	Date	Signature	Checked
-------	---------------	------	-----------	---------



Grade : VMQ 60±5° shore A

P max ; 1,4 Bar

Expansion : +/- 7 mm

Itemref	Quantity	Title/Name, designation, material, dimension etc			Article No./Reference	
Drawn by AS	Checked by	Approved by - date	File name	Date 13/06/2007	Scale 4 : 1	

limburgse kunststofonderneming
LIKON BV
ELASTOMERS | PLASTICS | ALUMINIUM



Kerkstraat 101
NL-5411CK Zeeland
T +31/486-450050
sales@likon.info
www.likon.info

Inflatable seal section

IFS# 416

Edition

Sheet
1 of 1

1

4