

1

2

3

4

RevNo	Revision note	Date	Signature	Checked
-------	---------------	------	-----------	---------

A

A

B

B

C

C

D

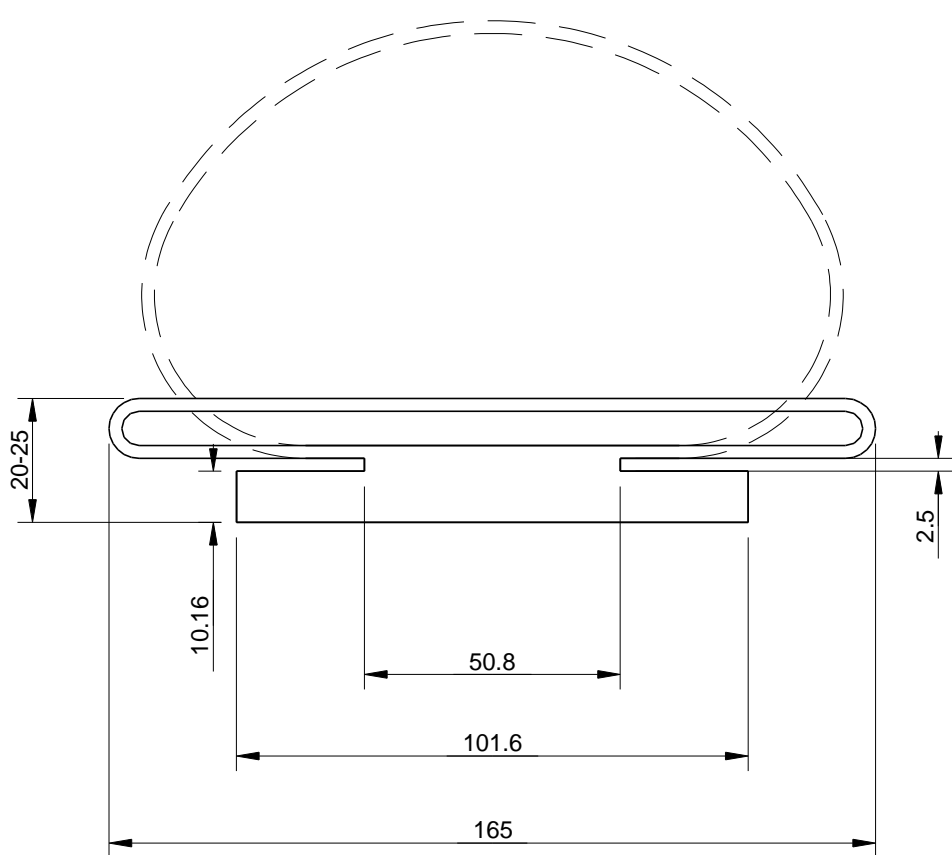
D

E

E

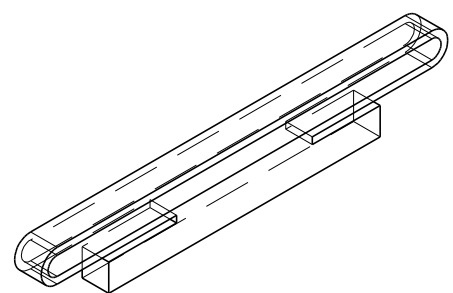
F

F




Grade : EPDM
 Hardness: 60±5° Shore A
 Tolerances: E2 ISO 3302-1

Pdiff : 0,4 Bar
 Inflation P : 0,4 - 1,4 Bar
 Pmax : 1,75 Bar
 Expansion : 75-100 mm



Weight : ±2 kgs/m1

limburgse kunststofonderneming
 LIKON BV
 Kerkstraat 101 |
 5411 CK Zeeland | Holland
 T +31/486-450050
 sales@likon.info | www.likon.info

Itemref	Quantity	Title/Name, designation, material, dimension etc			Article No./Reference	
Drawn by AS	Checked by	Approved by - date	File name	Date 15/06/2006	Scale 1 : 1.5	
limburgse kunststofonderneming LIKON BV 			IFS# 39		Edition	Sheet

1

4