

1

2

3

4

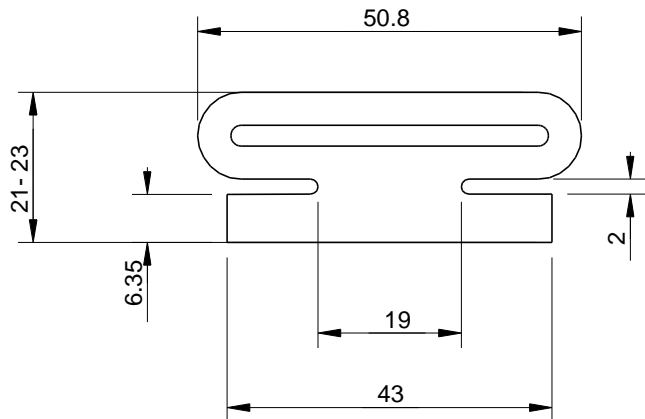
RevNo	Revision note	Date	Signature	Checked
-------	---------------	------	-----------	---------

A

A

B

B

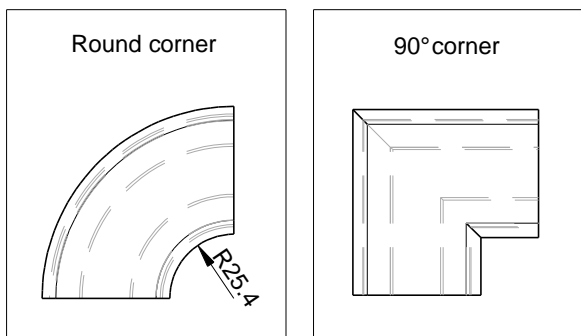


C

C

D

D



E


E

Diff. pressure : 0,75 - 1.0 Bar
 Infl. pressure : 1.0 up to 1.75 Bar
 Max. pressure : 2,1 Bar
 Max. expansion: 19 mm

Available in EPDM / Nitrile / Neoprene / Silicone

F

F

Itemref	Quantity	Title/Name, designation, material, dimension etc			Article No./Reference	
Drawn by AS		Checked by	Approved by - date	File name	Date 01/02/2005	Scale
limburgse kunststofonderneming LIKON BV 				IFS# 3		Edition Sheet

1

4